

Drop-in Circulators

Part Number: KTDC-102K11

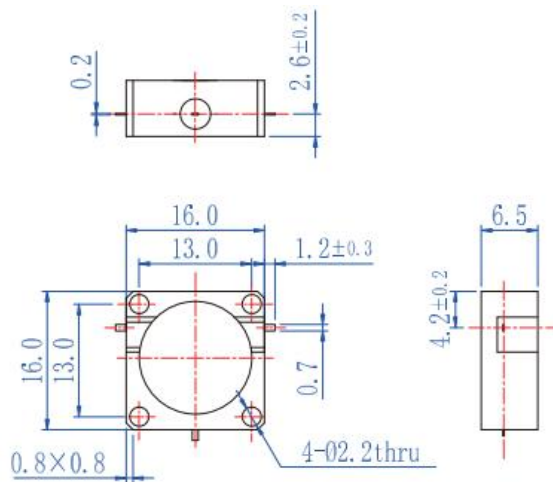
Key Features

- Frequency Range: 1.1GHz-2.5GHz
- Low Insertion Loss, High Isolation
- Small Size, High Power Handling
- Wide Operating Temperature Range : -40°C~+85°C
- Commercial, Military and Space Applications

Electrical Specifications at Room (25°C±5°C) Temperature

Part Number	Freq. Range (GHz)	Bandwidth Max. (MHz)	Insertion Loss Max. (dB)	Isolation Min. (dB)	VSWR Max.	Forward Power (W0)	Connector Type
KTDC-102K11	1.1 - 2.5	100	0.3	23	1.20	100	TAB

Mechanical Dimensions (mm)



HOW TO ORDER

